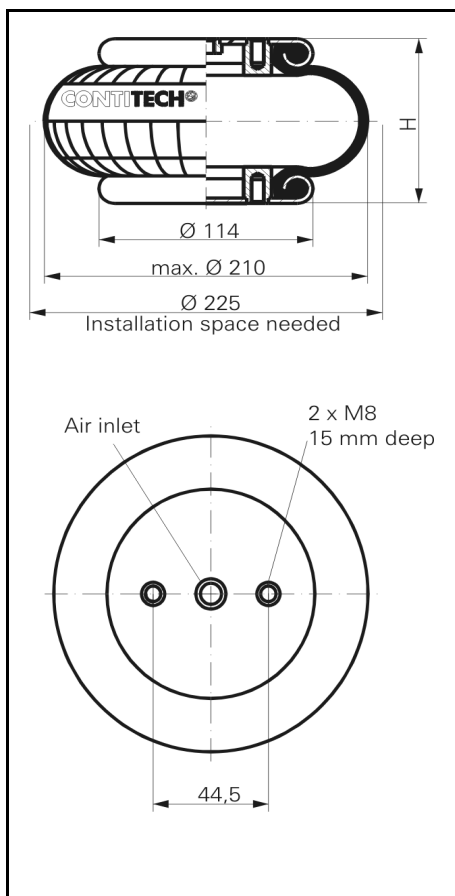
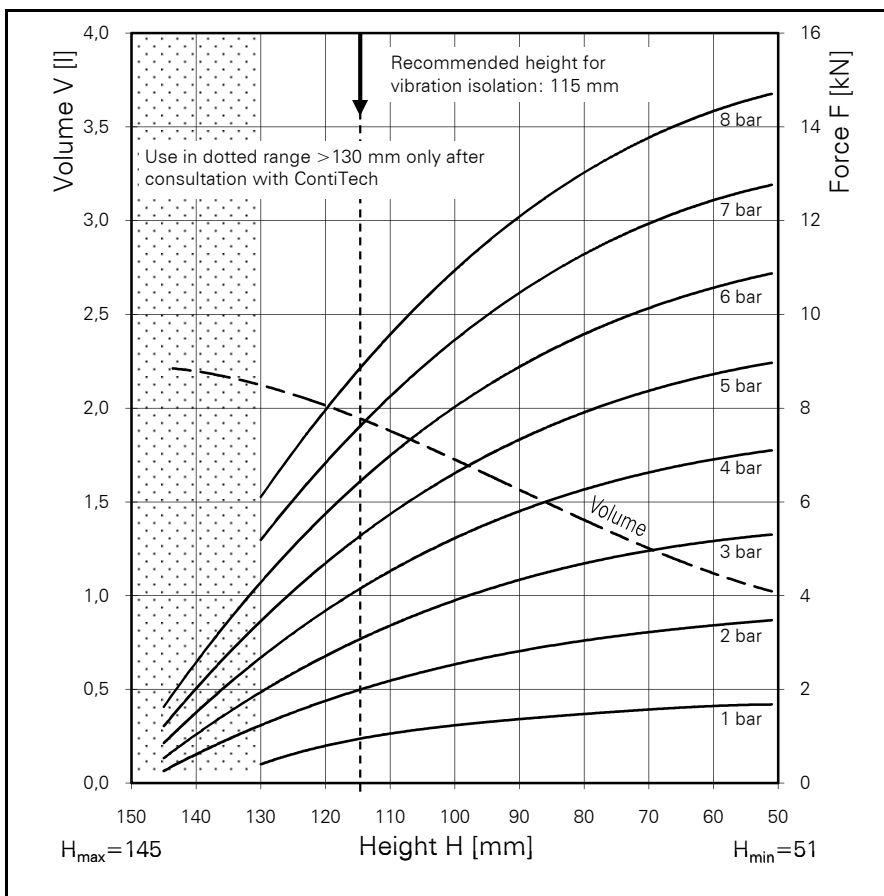


FS 100-10 CI

CONTI® Single Convolution Air Spring



FS 100-10 CI



Force-height diagram

Purchase order data

Type	Order No.
Rubber bellows only	63457
With clamped plates G 1/4 air inlet	65745

Additional types on request

Technical data

Min. pressure	0 bar
Return force to min. height	≤ 40 N
Overall weight with clamped plates	1.4 kg

Vibration isolation - dynamic characteristic values

Design height H: recommended 115mm, minimum 100mm

Pressure p [bar]	3	4	5	6	7	8	Vol V [l]
Force (Load) [kN]	3.1	4.3	5.4	6.5	7.6	8.8	
Spring rate [N/cm]	987	1268	1559	1851	2136	2418	
Natural frequency [Hz]	2.8	2.7	2.7	2.7	2.6	2.6	

Pneumatic application - static characteristic values

Force F [kN]

Pressure p [bar]	3	4	5	6	7	8	Vol.[l]	
Height H [mm]	130	2.0	2.7	3.5	4.3	5.2		2.13
	110	3.4	4.5	5.7	7.0	8.3		1.87
	90	4.3	5.8	7.3	8.9	10.4		1.58
	70	5.0	6.6	8.4	10.2	12.0	1.25	



Service instructions
M 8 = 25 Nm
G 1/4 = 25 Nm

Measuring procedure: Room temperature / Force- height- data quasistatic / Dynamic data at 1 Hz

